



| | |
|---|---|
| Maschinen und Anlagen für | Machines and Systems for |
| Papierverarbeitung Kunststoffschweißen Schmiertechnik | Paper processing Plastic welding Lubrication technology |
| Daimlerstrasse 6-10 D-72639 Neuffen | Telefon 07025/12-0 Telefax 07025/12-200 |
| www.bielomatik.com | service@bielomatik.de |

SECONDHAND MACHINE FLYER

BASIC DATA

| | |
|-------------------------------|------------------------------|
| Manufacturer: | Jagenberg, Neuss – Germany |
| Type / serial no.: | AM12 (Typ2) |
| Build in: | 1994 |
| General working width: | 1650mm |
| Description: | unwind unit for up to 4 webs |

TECHNICAL DATA

| | |
|----------------------------|--|
| Working width (untrimmed): | min. 400 mm, max. 1650 mm |
| Working width: | max. 1650 mm |
| | |
| Number of unwind units: | 4 |
| Paper roll diameter: | max. 1250 mm |
| Chuck diameter: | 150 mm |
| | |
| Paper weight: | min. 50 g/m ² , max. 350 g/m ² |
| Paper grade: | All Paper grade |
| | |
| Mech. Running speed: | Up to 400m/min of sheeter speed |
| Electrical voltage supply: | 3 x 380V, 50Hz |
| Color: | RAL 5012 – light blue |
| Operating side: | left (in paper direction) |
| Brake side: | right (in paper direction) |
| Roll supply / Loading: | from top (by crane) |
| Side shifting | Individual side shifting for each roll by AC-Motor |

MECHANICAL MACHINE GROUPS

- 4 unwind units "AM 12 Typ2"
- including 3 chucks
- pneumatic brake system (manual operation) prepared for Individual brake system with 4 IP-Converters

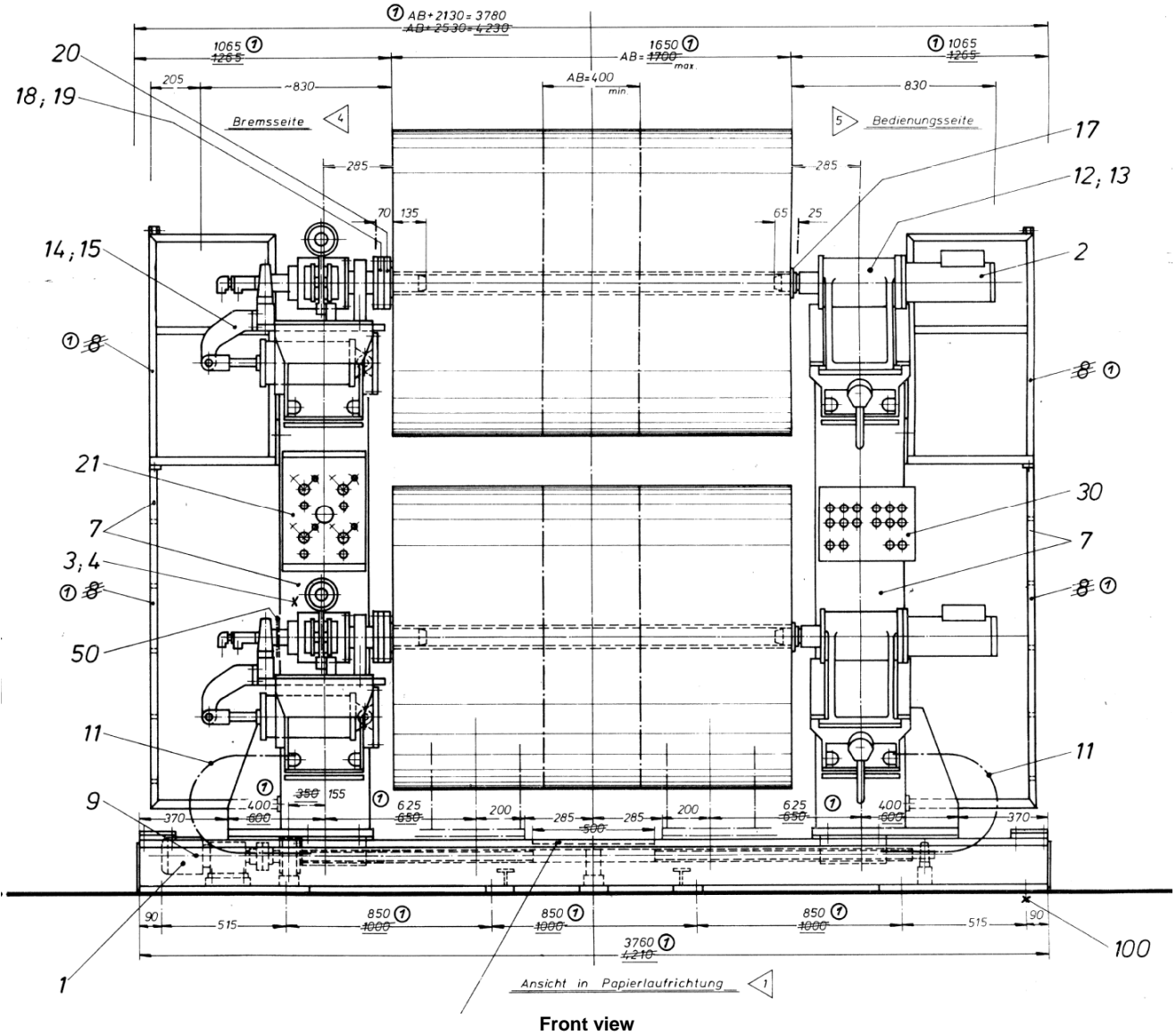
ELECTRICAL SYSTEM

- Control system: Relay logic
- Operating: Pushbutton Operator terminal and pneumatic control
- Other drives: AC drives for side shifting
- Switch cabinet: Mounted on unwind for control system

NOTE (Machine is on stock (indoor store) at bielomatik Neuffen - Germany)
(Machine have be used only for internal trials)

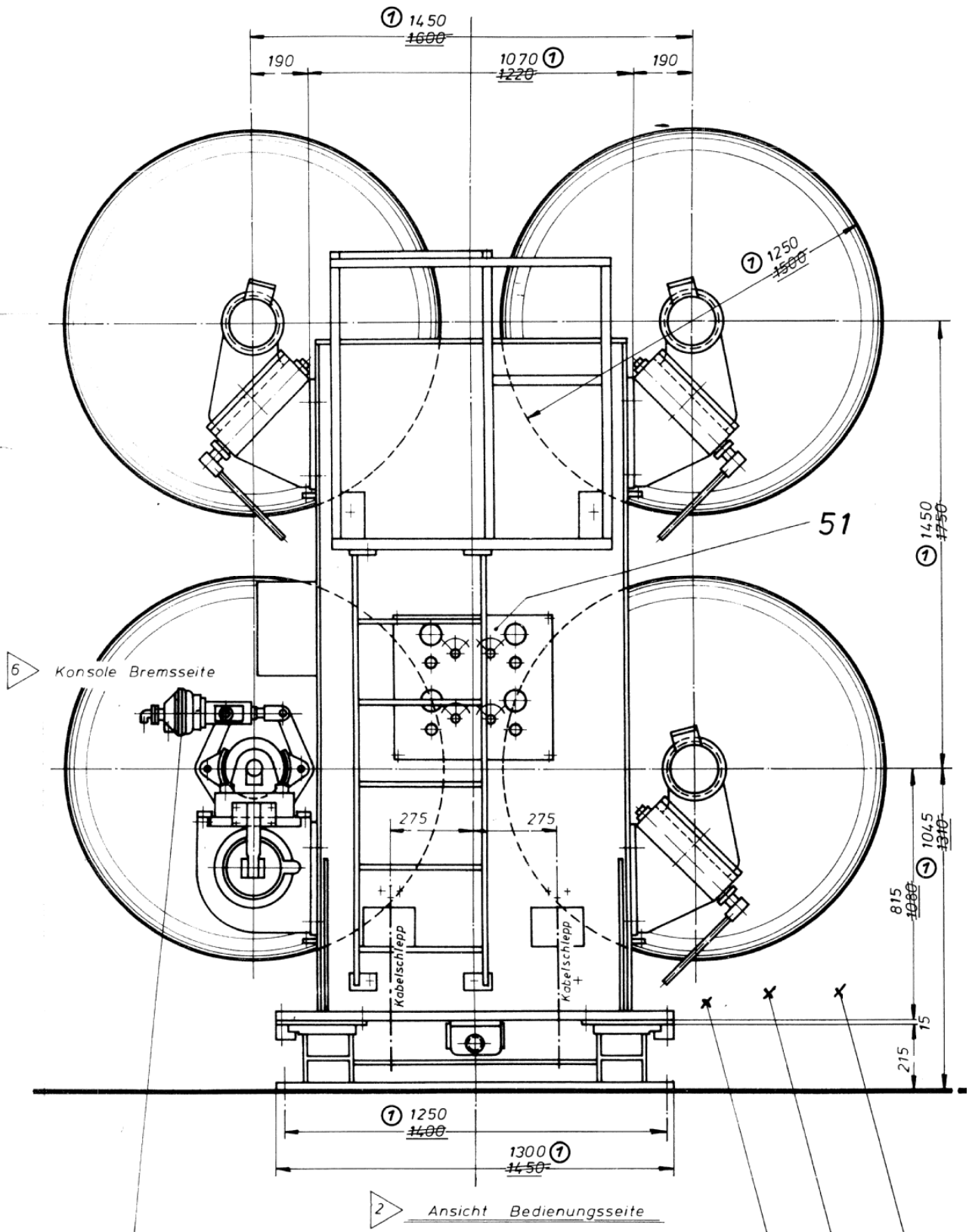


GENERAL LAYOUT (scan of the original documents)





3 Papierlaufrichtung



Side view



More questions? Do you need more information?
Please contact secondhandmachines@bielomatik.de!

PICTURES (as attached)



Push button Operator terminal